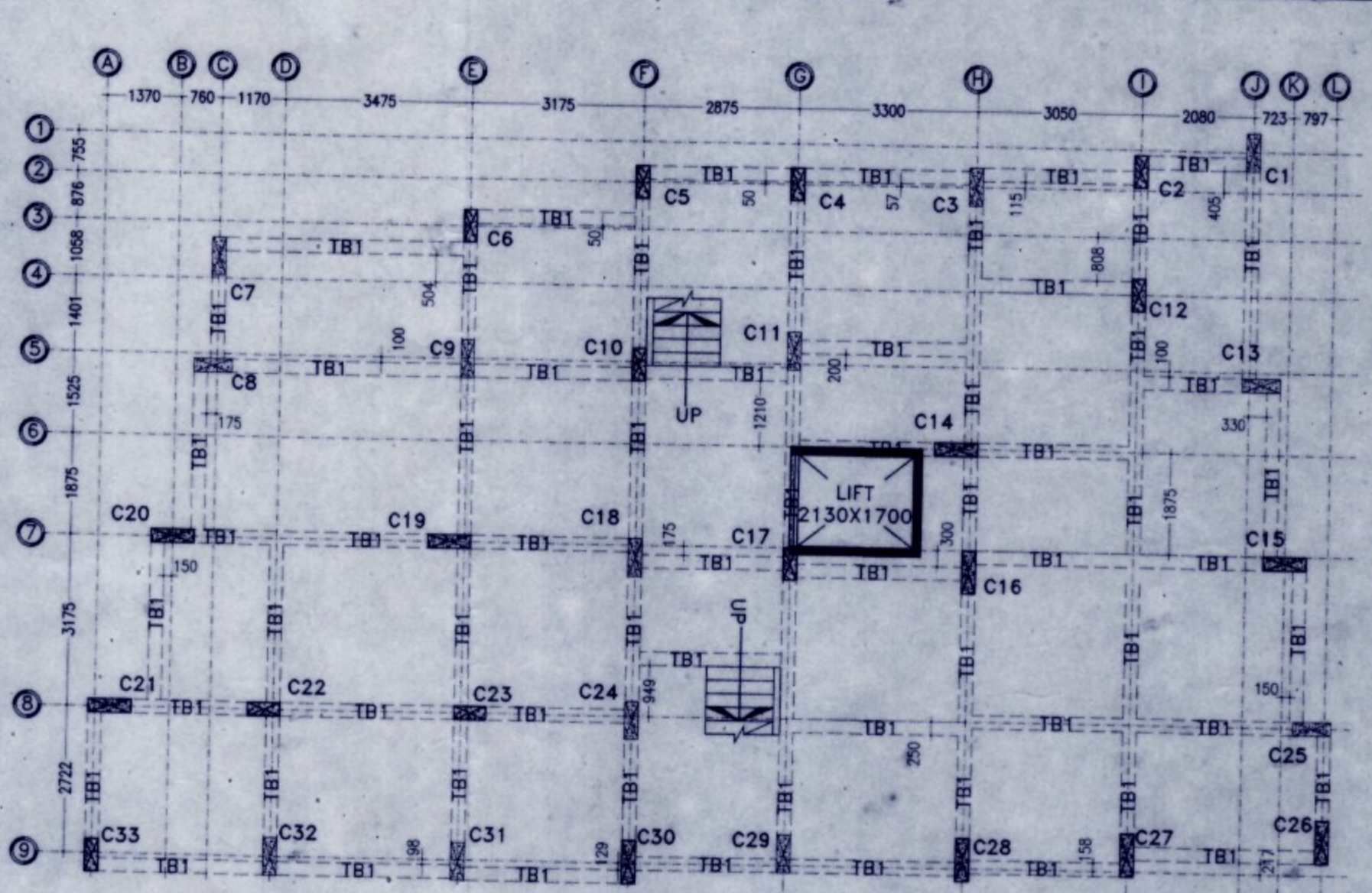
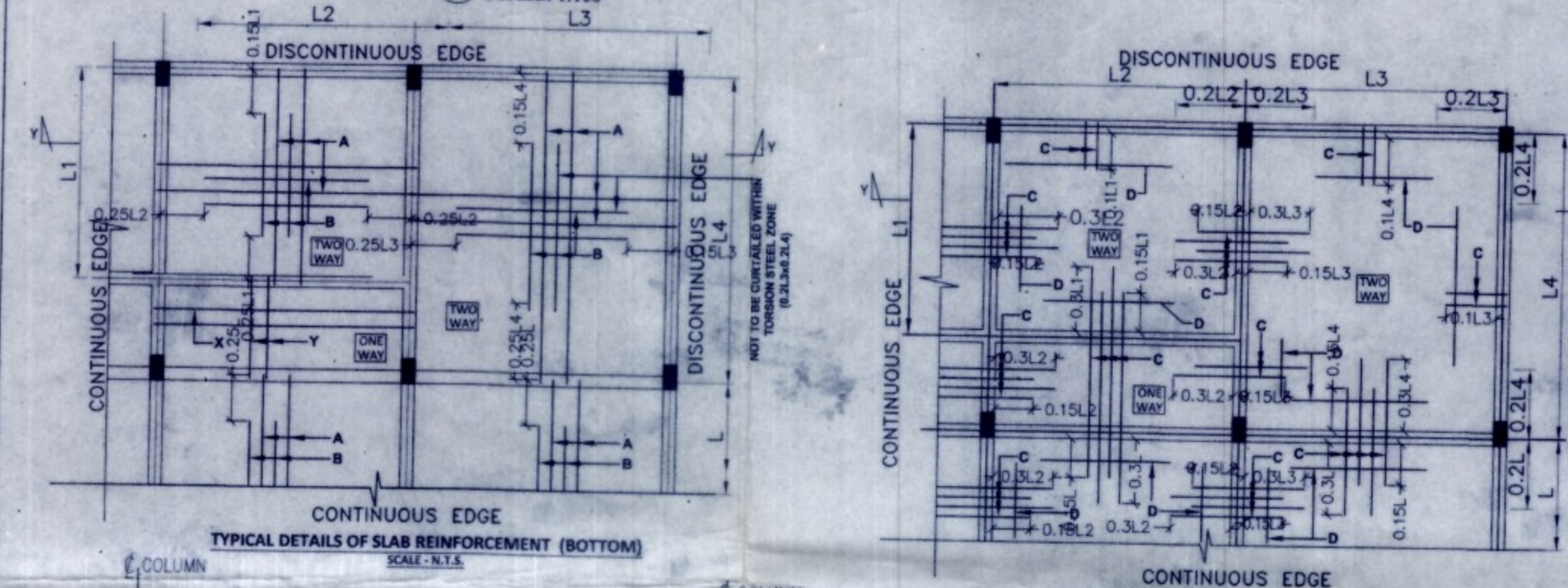


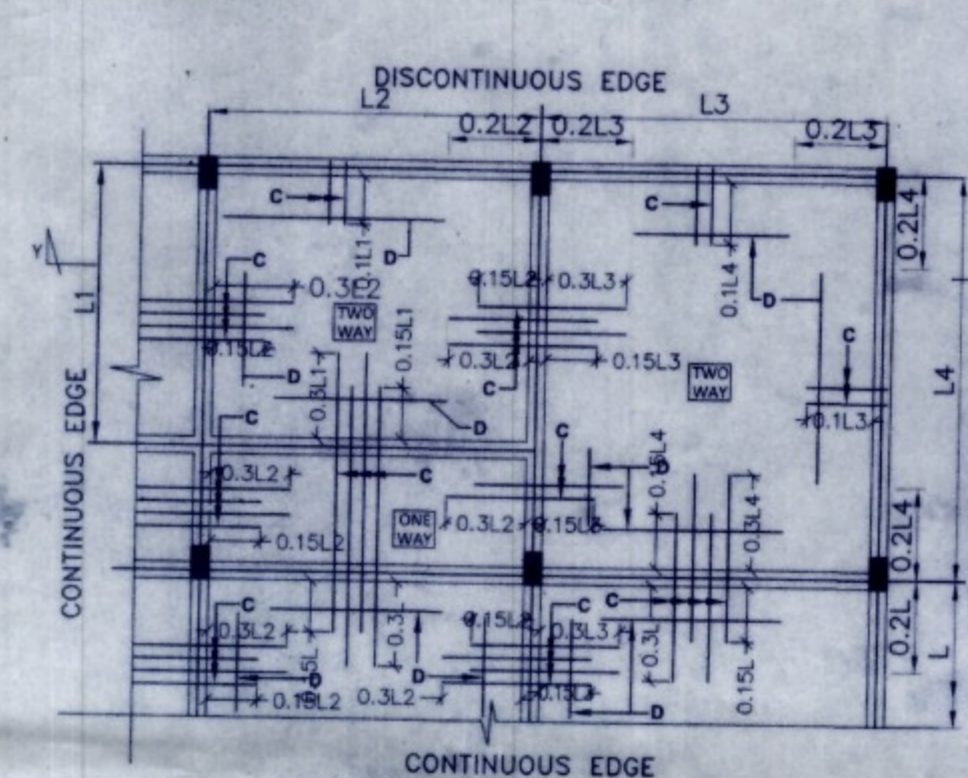
9 TYPICAL FLOOR ROOF BEAM LAYOUT PLAN
SCALE: 1:100



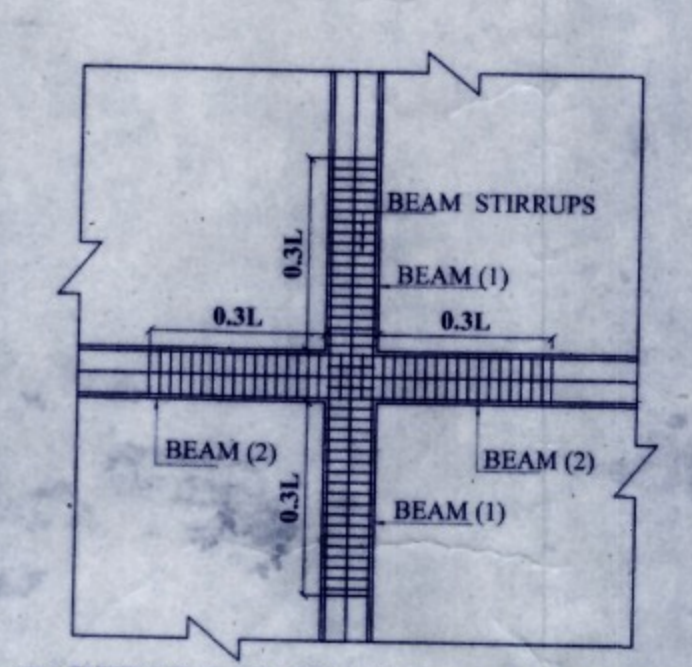
7 TIE BEAM LAYOUT PLAN
SCALE: 1:100



TYPICAL DETAILS OF SLAB REINFORCEMENT (BOTTOM)
SCALE: N.T.S.

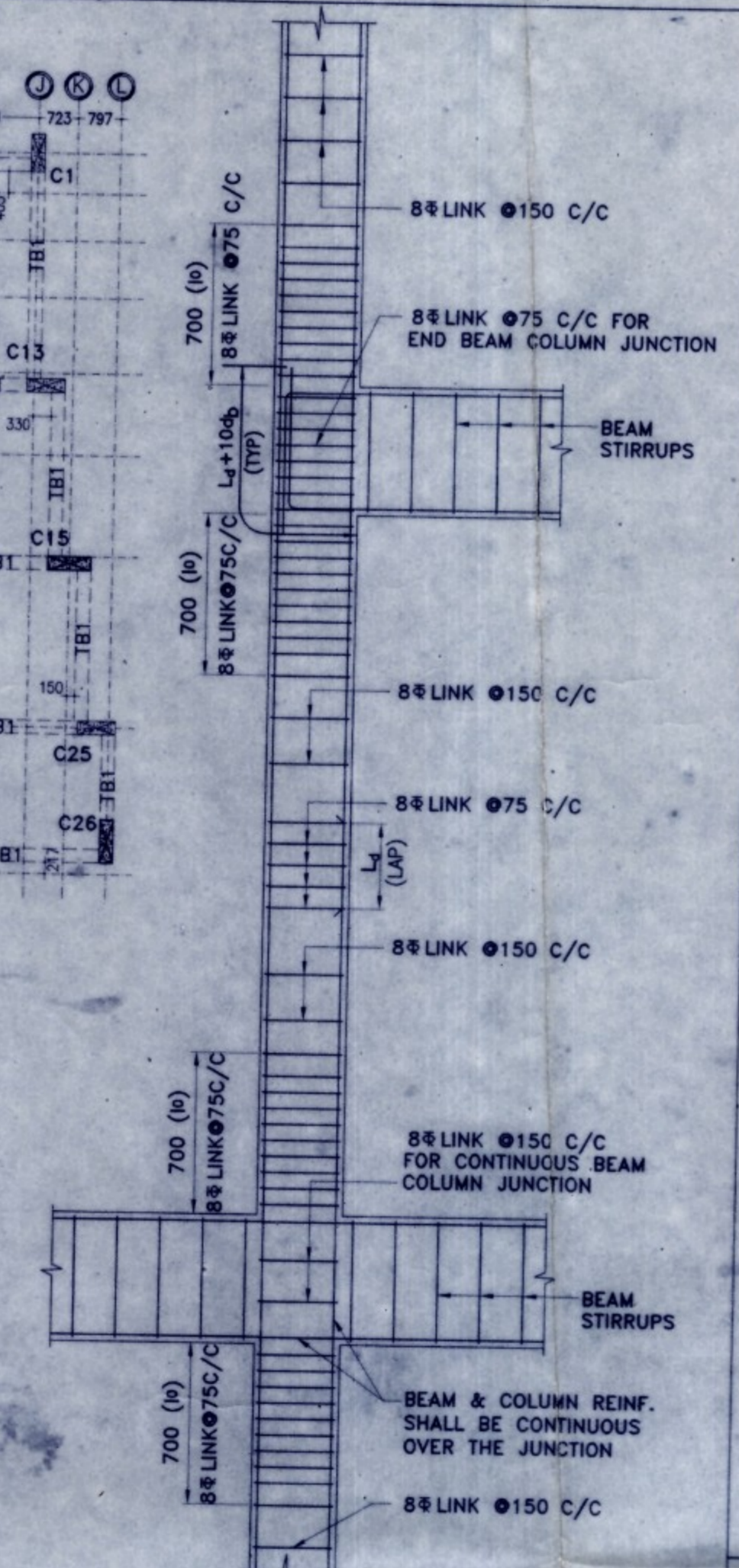


TYPICAL DETAILS OF SLAB REINFORCEMENT
SCALE: N.T.S.

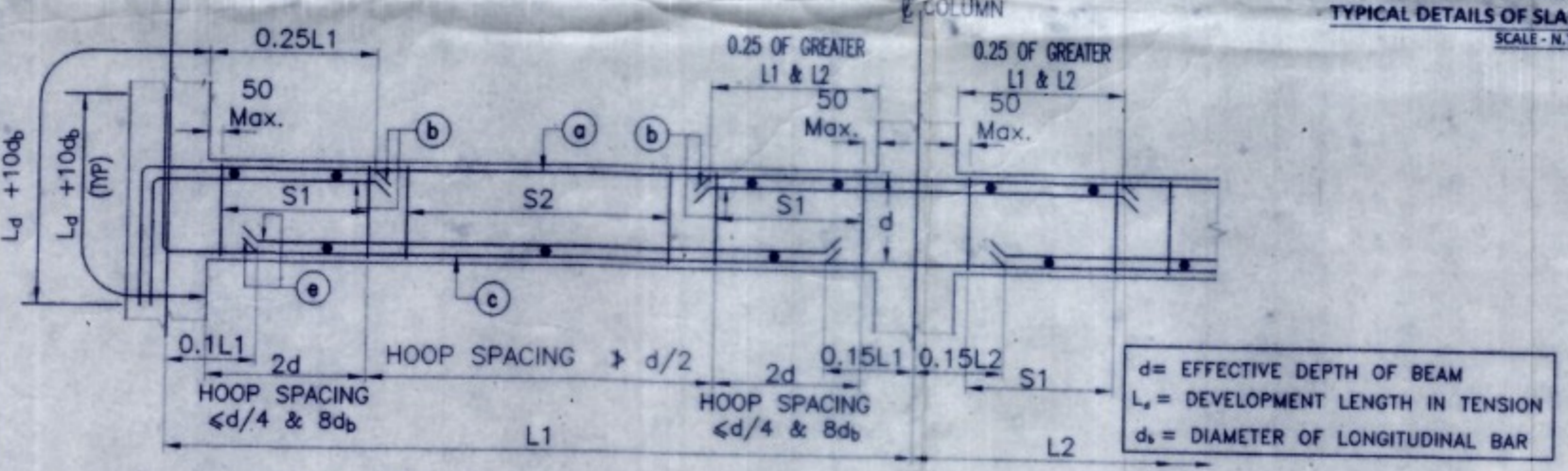


13 DETAILS OF CROSS BEAM JUNCTION
SCALE: 1:50

AT SUPPORT AT SPAN
TYPICAL CROSS SECTION OF BEAM
FIGURE NUMBER-1



TYPICAL DETAIL OF BEAM COLUMN JUNCTION
SCALE: N.T.S.



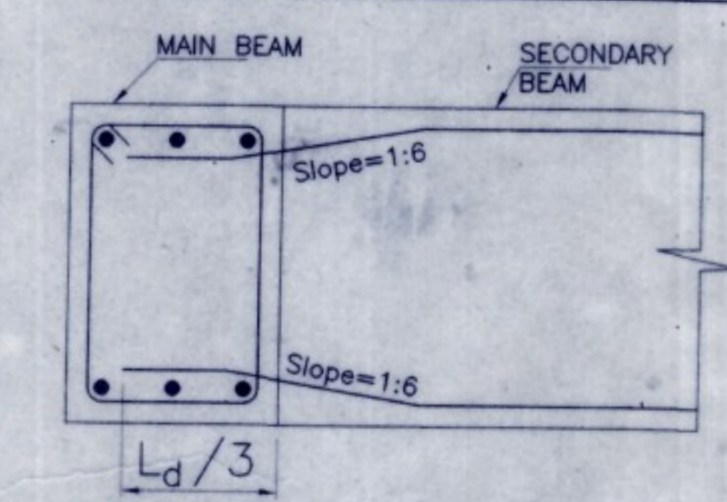
TYPICAL ARRANGEMENT OF REINFORCEMENT IN BEAM
FIGURE NUMBER-1

TABLE NO:-09 (SCHEDULE OF FLOOR BEAM)

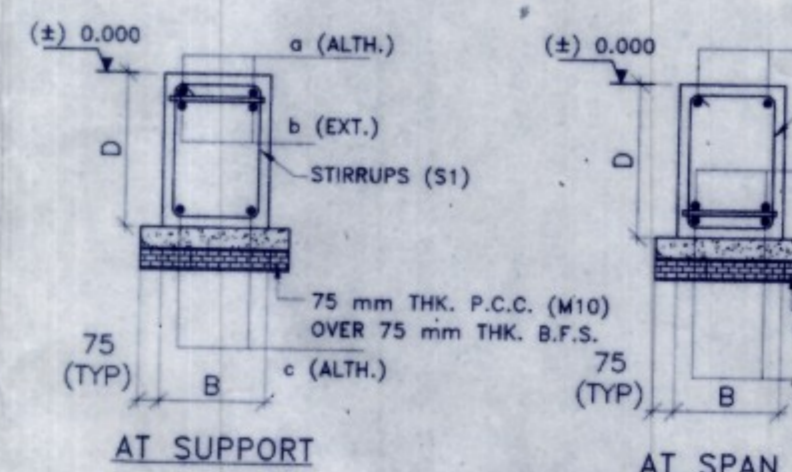
Beam Mkd	Size	All Through	Ext. at End	Ext. at End	Ext. at End	Ext. at Cont.	STIRRUPS
		Top(a)Bottom.(c)	Supp. Top	Span. Bot	Supp. Bot	Supp. Bot	Support Span
FB1	250 450	2-20R	2-20R	2-20R	2-20R	2-20R	2L-8R@125C/C 2L-8R@125C/C
FB2	250 400	2-20R	1-20R	1-20R	1-20R	1-20R	2L-8R@125C/C 2L-8R@125C/C
FB3	250 350	2-16R	1-16R	1-16R	1-16R	1-16R	2L-8R@125C/C 2L-8R@150C/C
TB1	250 450	2-20R	2-20R	2-20R	2-20R	2-20R	2L-8R@125C/C 2L-8R@125C/C
CB	250 450	3-25R	2-25R				2L-8R@125C/C 2L-8R@125C/C
HLB	250 400	2-20R	2-20R	1-16R	1-16R	1-16R	2L-8R@125C/C 2L-8R@125C/C

TABLE NO:-10 (SCHEDULE OF FLOOR SLAB)

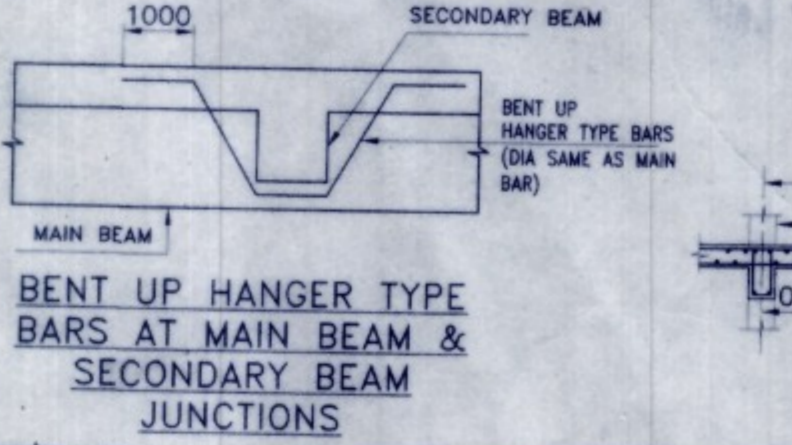
BAR M.D.	REINFORCEMENT	POSITION
A	10T @ 175 mm C/C (ALL THROUGH)	BOT.
B	10T @ 175 mm C/C (CURTAINMENT)	BOT.
C	10T @ 175 mm C/C (CURTAINMENT)	TOP
D	10T @ 250 mm C/C (ALL THROUGH)	TOP
X	10T @ 150 mm C/C (ALL THROUGH)	BOT.
Y	10T @ 150 mm C/C (ALL THROUGH)	BOT.



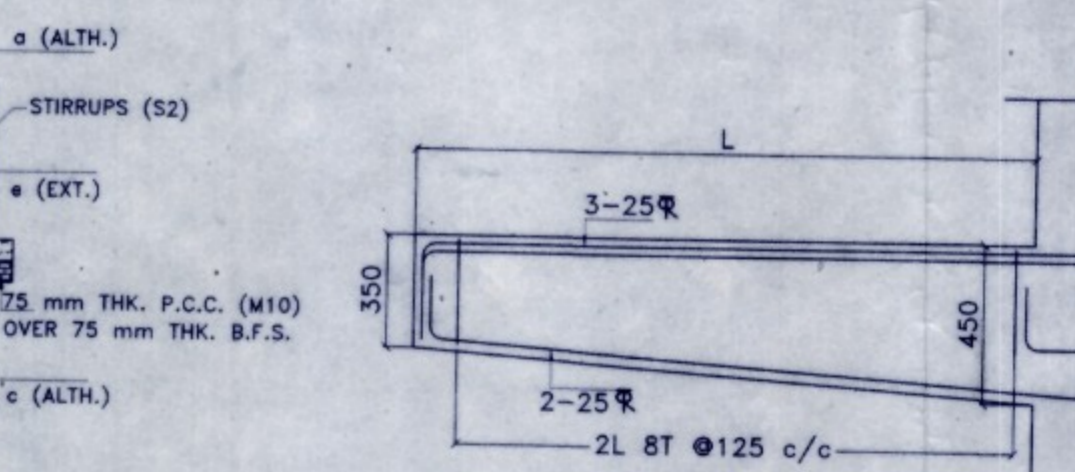
JUNC. OF MAIN AND SEC. BEAM



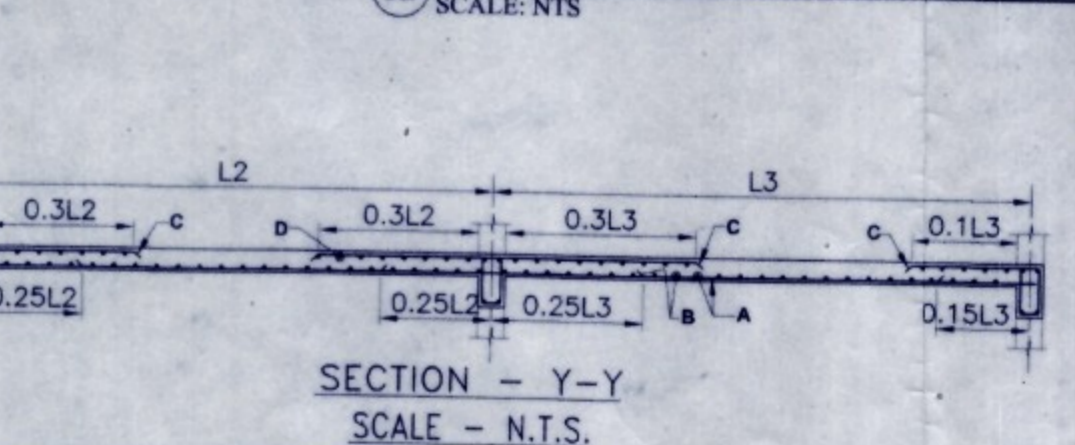
TYPICAL CROSS SECTION OF TIE BEAM



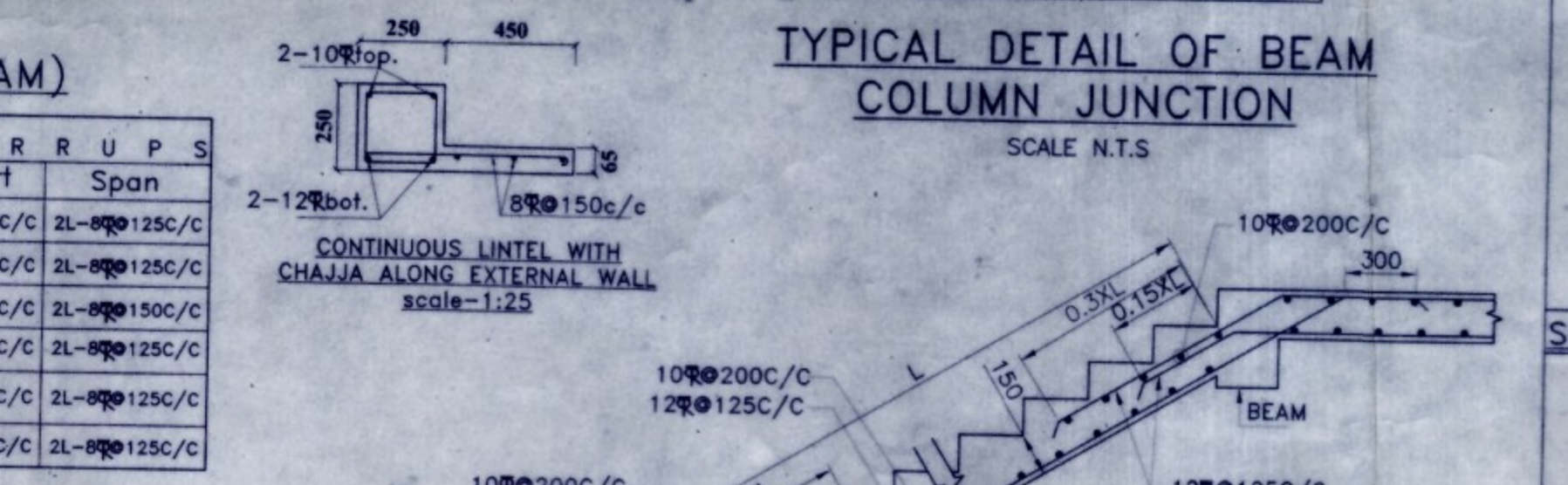
BENT UP HANGER TYPE BARS AT MAIN BEAM & SECONDARY BEAM JUNCTIONS



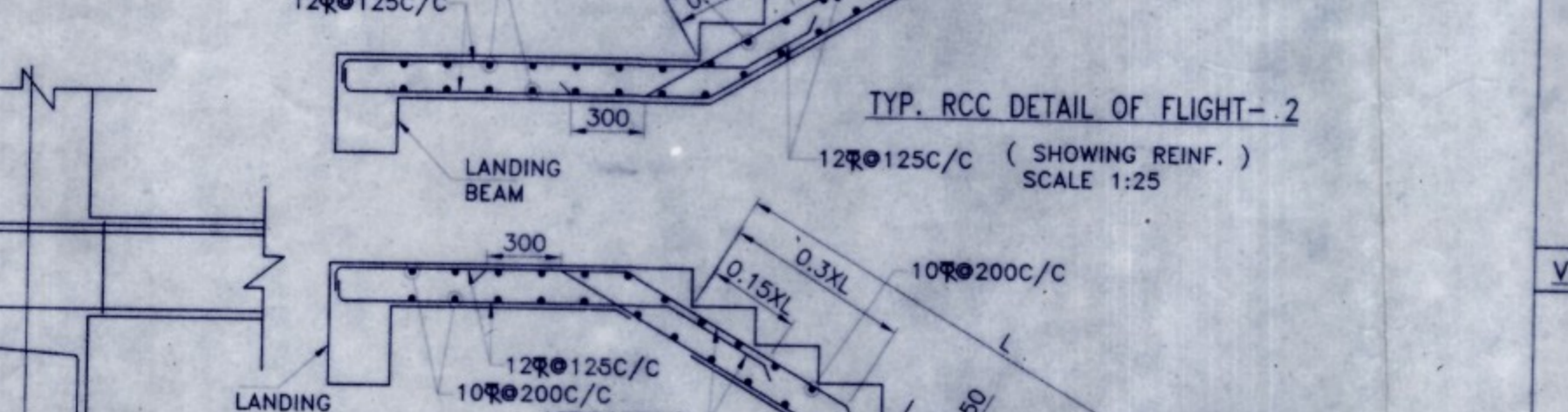
TYPICAL SECTION OF CANTILEVER BEAM
SCALE: N.T.S.



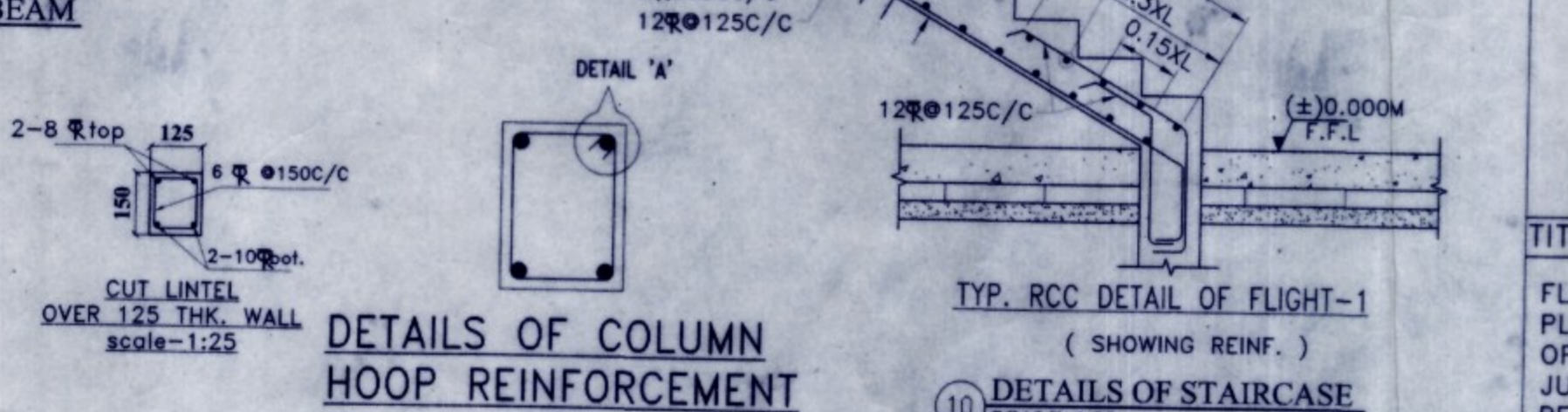
SECTION - Y-Y
SCALE - N.T.S.



TYP. RCC DETAIL OF FLIGHT-2
SCALE: 1:25



TYP. RCC DETAIL OF FLIGHT-1
(SHOWING REINF.)
SCALE: 1:25



DETAILS OF COLUMN HOOP REINFORCEMENT

PROJECT NAME:-
STRUCTURAL DRAWING OF PROPOSED (G+8) NINE STORED RESIDENTIAL BUILDING MR.SURESH RUIDAS, S/O SANATAN RUIDAS,(DEVELOPED BY LOKENATH DEVELOPERS) R.S. PLOT NO-43/67 L.R. PLOT-187, J.L. NO-111,R.S. KHATIAN NO-59 L.R. KHATIAN NO-1493, MOUZA-TETIKHOLA, P.S-NEW TOWNSHIP, DIST.-PASCHIM BARDHAMAN.

- NOTES :-
- (±) 0.00 m LEVEL REFERS TO E.G.L.
 - UNLESS OTHERWISE STATED ALL CONSTRUCTION ACTIVITIES SHALL BE CARRIED OUT CONFORMING TO RELEVANT (INDIAN) STANDARD CODES OF PRACTICE.
 - ALL DIMENSIONS ARE IN MILLIMETERS & LEVELS ARE IN METER. EXCEPT OTHERWISE MENTIONED ONLY WRITTEN DIMENSIONS SHALL BE FOLLOWED. ALL LEVELS GIVEN IN STRUCTURAL DRAWINGS ARE IN ACCORDANCE WITH ARCHITECTURAL DRAWINGS AND INDICATE STRUCTURAL LEVEL ONLY (WITHOUT FINISH). HOWEVER ARCHITECTURAL DRAWING TO BE COORDINATED FOR ALL LEVELS.
 - ALL STRUCTURAL DRAWINGS SHALL BE READ ALONG WITH THIS DRAWING AS WELL AS RELEVANT ARCHITECTURAL DRAWINGS.
 - ANY DISCREPANCY IN THE STRUCTURAL AND ARCHITECTURAL DRAWINGS SHALL BE BROUGHT TO THE NOTICE OF STRUCTURAL CONSULTANT BEFORE EXECUTION OF WORK.
 - UNLESS OTHERWISE SPECIFIED ALL REINFORCEMENT TO BE USED SHALL BE TMT. BARS OF GRADE Fe-500/500 D CONFORMING TO IS-1786-2008.
 - ADEQUATE CHAIR BARS TO BE PROVIDED TO KEEP THE TOP REINFORCEMENT IN PROPER POSITION.
 - UNLESS OTHERWISE STATED LAP LENGTH OF BARS SHALL BE DEVELOPMENT LENGTH=50BAR DIA.
 - UNLESS OTHERWISE SPECIFIED DISTRIBUTION REINFORCEMENT SHALL BE 8 T @ 250 C/C
 - CONCRETE COVER TO MAIN REINFORCEMENT SHALL BE AS FOLLOWS:-
a) Beams:-25 mm, b) Column:-40mm, c) Slab:-15mm, d) Footing:-50mm, e) R.C.C Wall:-20 mm, f) Stair:- 20mm.
 - Grade of concrete will be m30 for column and m25 for beam and sub structure as per is: 456:2000.
 - Development length 50d for lap & splices should be provided as per the provisions laid down in SP34:1987

SIGNATURE OF DEVELOPER/OWNER:-

LOKENATH DEVELOPERS
Suresh Ruidas
Partner

SIGNATURE OF STRUCTURAL ENGINEER:-

HIRSH GHOSH
Structural Engineer
Lic. No. - 82PM/162/AMC (Reg. No. 19)
DCE, B.TECH, I.I.T.S., Durgapur-74
Contact No. - 9332323337

VERIFIED BY:-

DR. S. N. MUKHERJEE
Civil Engineering Dept.
JAGADPUR UNIVERSITY
KOLKATA-700032, (W.B.)

Approved Plan No. 2 of 2019
No. 12019-22 Date: 11/12/2019
Valid upto: 11/12/2024

Mollik Ghosh
Pradhan
Jamua Gram Panchaya

TITLE:-
FLOOR BEAM & TIE BEAM LAYOUT PLAN, DETAILS OF BEAM LAYOUT PLAN, DETAILS OF STIRRUPS, DETAILS BEAM COLUMN JUNCTION, DETAILS OF STAIR, SCHEDULE OF BEAM & SLAB, DETAILS OF LINTEL & CHAJJA.

SIGNATURE OF ARCHITECT:-

VAISHALI K. BANERJEE
CONSULTING ARCHITECT
CA/2018/101108

SIGNATURE OF GEO-TECHNICAL ENGINEER:-

MANOJ MARY
Civil & Geotechnical Engineer
CE, MGS - LM4278
Lic. No. - LBPM/162/AMC
G.I.D.S., Durgapur - 16



GIDS Engineering Pvt. Ltd.
(AN ORGANIZATION OF CONSULTANT ENGINEERS)
E-mail id:- gidsbengal@gmail.com & gidsbengal.project@gmail.com
SPECIALIST IN CONSULTING, STRUCTURAL DESIGN, SURVEYING & SOIL INVESTIGATING
OFFICE- C-29, 4th street, Doctor's Colony, City Centre Durgapur -713216
Contact No:- +919332323331, +91789998140

SCALE : 1:100, 1:50, 1:25, N.T.S.
REV-00
DATE : 30.01.2021
SHEET NO:- GIDS/STRU/P&RD/02-02

